

FX/CDM1 A Hygrothermostats



Characteristics

Electronic regulator alone: FX/CDM1 A

- Power supply: 230 V.
- Current rating: 6 A.
- Fits to DIN rail.
- Dimensions: 85 x 53 x 65 mm (3 modules).

External temperature sensor FX/CDM/SONDE

- Type : CTN 1000 Ohms at 25°C.
- Dimensions : Box 50 x 50 x 35 mm.
- Power supply : By standard 2 conductor cable, (not supplied) from the electronic box to the sensor terminals (50 m maximum).

External humidity sensor

- Capacitive type.
- Power supply: by 4 conductor cable from the electronic box to the sensor (5 m long, can be extended up to 50 m).
- Heating: When it freezes, the sensor is automatically heated to melt the snow on the electrodes.
- FX/CDM/SONDENEIGE: Box 60 x 15 x 15 mm + 2 electrodes 150 mm length in the extension.
- FX/CDM/SONDEPARKING dimensions 60 x 60 x 35 mm.

FX/BOITIER option

- IP 54 box (195 x 115 x 110 mm) for hygrothermostat.

Applications

The FX/CDM1 A hygrothermostat permanently checks for the presence of snow or black ice in gutters or access ramps. The heating cables are powered according to the outside temperature and the presence of humidity.

The energy required is calculated by an interval timer switch.

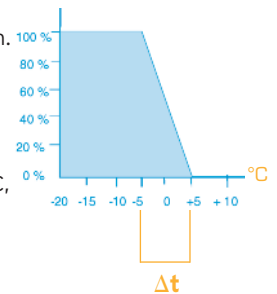
Operation/Settings

°C → Temperature below which the regulator comes into operation.

Δt → Zone in which the regulator operates as an energy dispenser proportional to needs.

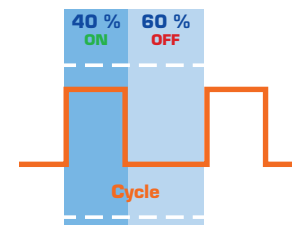
Example:

with "°C" = + 5°C and "Δt" = 10°C, if outside temperature:
 + 5°C : 0 % of energy
 0°C : 50 % of energy
 - 5°C : 100 % of energy



"T min" Time Base → This is the period of a cycle energised and de-energised in the operation sequence. Time can be set from 30s to 10 min.

Example with 40 % of energy:

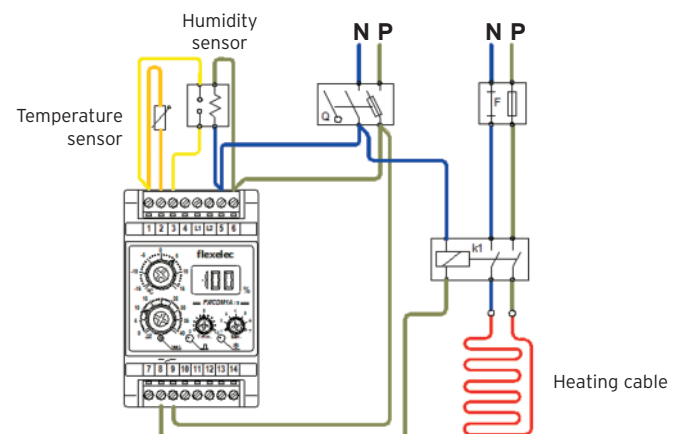


"SEN" Sensitivity of the humidity sensor →

This setting makes it possible to vary the sensitivity of the snow detection circuit.

Value "1" corresponds to the greatest sensitivity to humidity.

Connection diagram



FXCDM1 A



FX/CDM/SONDE



FX/CDM/SONDEPARKING



FX/BOITIER



FX/CDM/SONDENEIGE



FLEXELEC S.A.S

10, rue des frères Lumière
 Z.A. du Bois Rond
 69720 ST BONNET DE MURE - FRANCE
 Tel: + 33 (0)4.72.48.30.90
 Fax: + 33 (0)4.78.40.82.61
 E-mail: flexelec@omerin.com

FLEXELEC Dept

OMERIN ASIA Pte Ltd
 51 Goldhill Plaza #08-12/01
 SINGAPORE 308900
 Tel: + 65.6255.4778
 Fax: + 65.6255.4779
 E-mail: sales@omerin.com.sg

FLEXELEC (UK) Ltd

Unit 11 Kings Park Industrial Estate
 Primrose Hill - KINGS LANGLEY
 Hertfordshire - WD4 8ST - UK
 Tel: + 44 (0) 1923.274477
 Fax: + 44 (0) 1923.270264
 E-mail: sales@omerin.co.uk

FLEXELEC Dept

OMERIN GmbH
 Buchwiese 16
 D-65510 IDSTEIN - GERMANY
 Tel: + 49 (0) 6126.94.31-0
 Fax: + 49 (0) 6126.83.99
 E-mail: omeringmbh@omerin.com